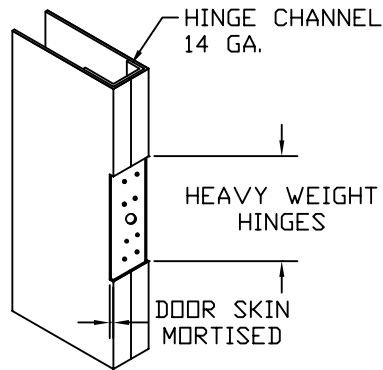


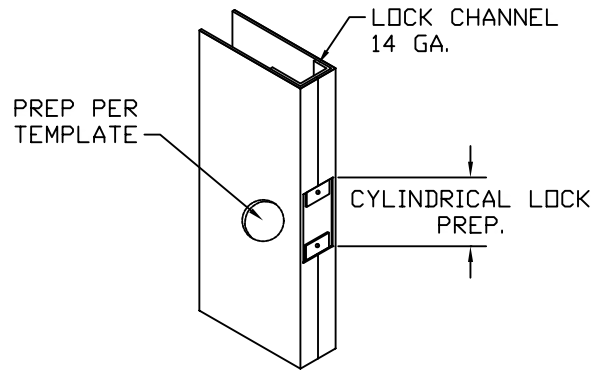


MEGAMET INDUSTRIES

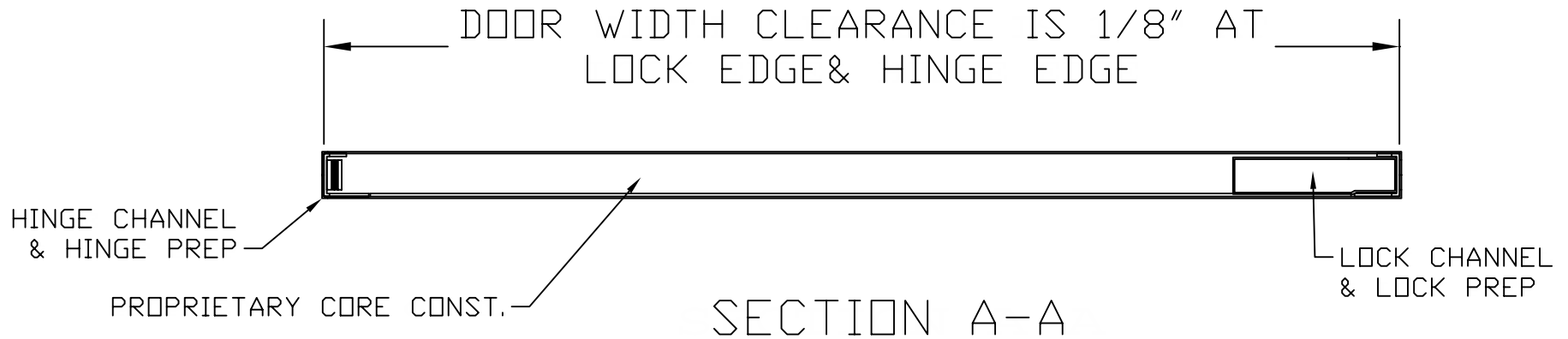
STC HORIZONTAL SECTION.



HINGE PREP



CYLINDRICAL LOCK PREP

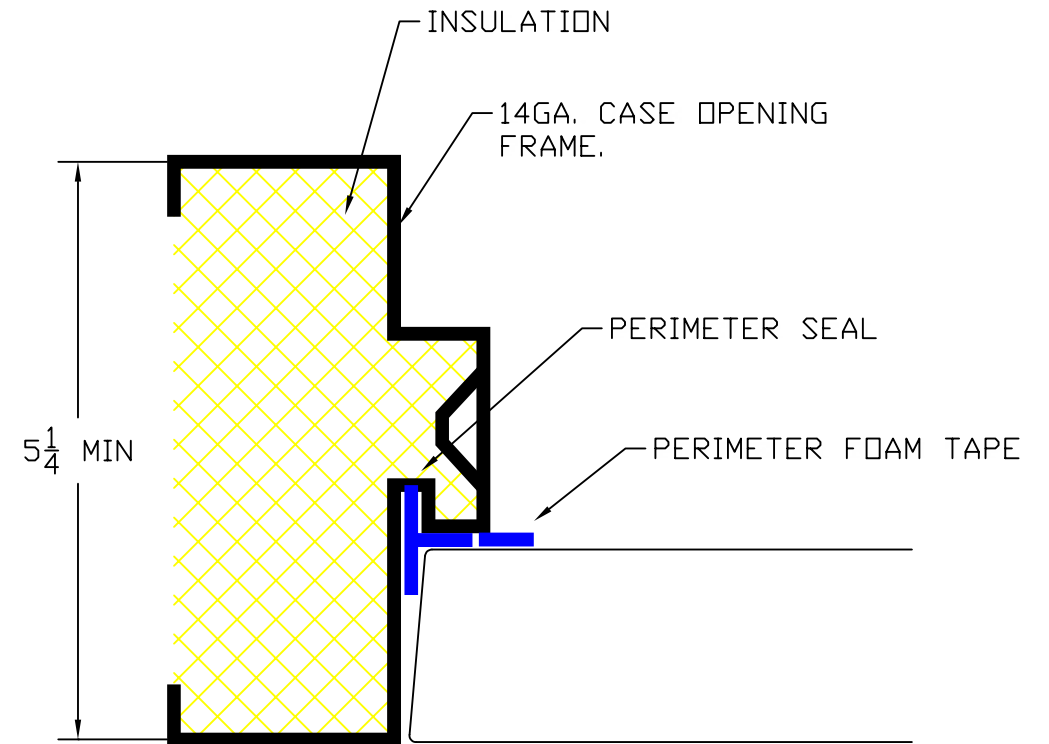
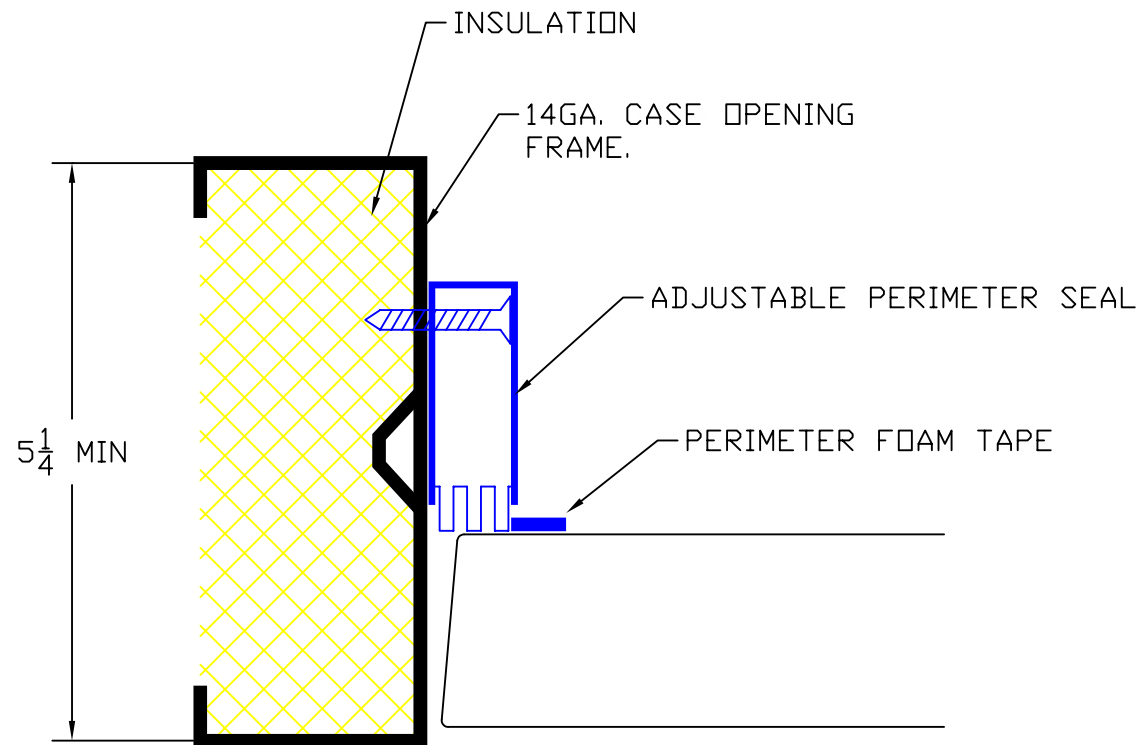


Megamet Industries, Inc.
P.O. Box 635 (3228 6th Avenue North)
Birmingham, AL 35201
WEBSITE: www.megametUSA.com
PHONE: (205) 322-7700; TOLL FREE: (888) 322-7750; FAX: (205) 322-4600



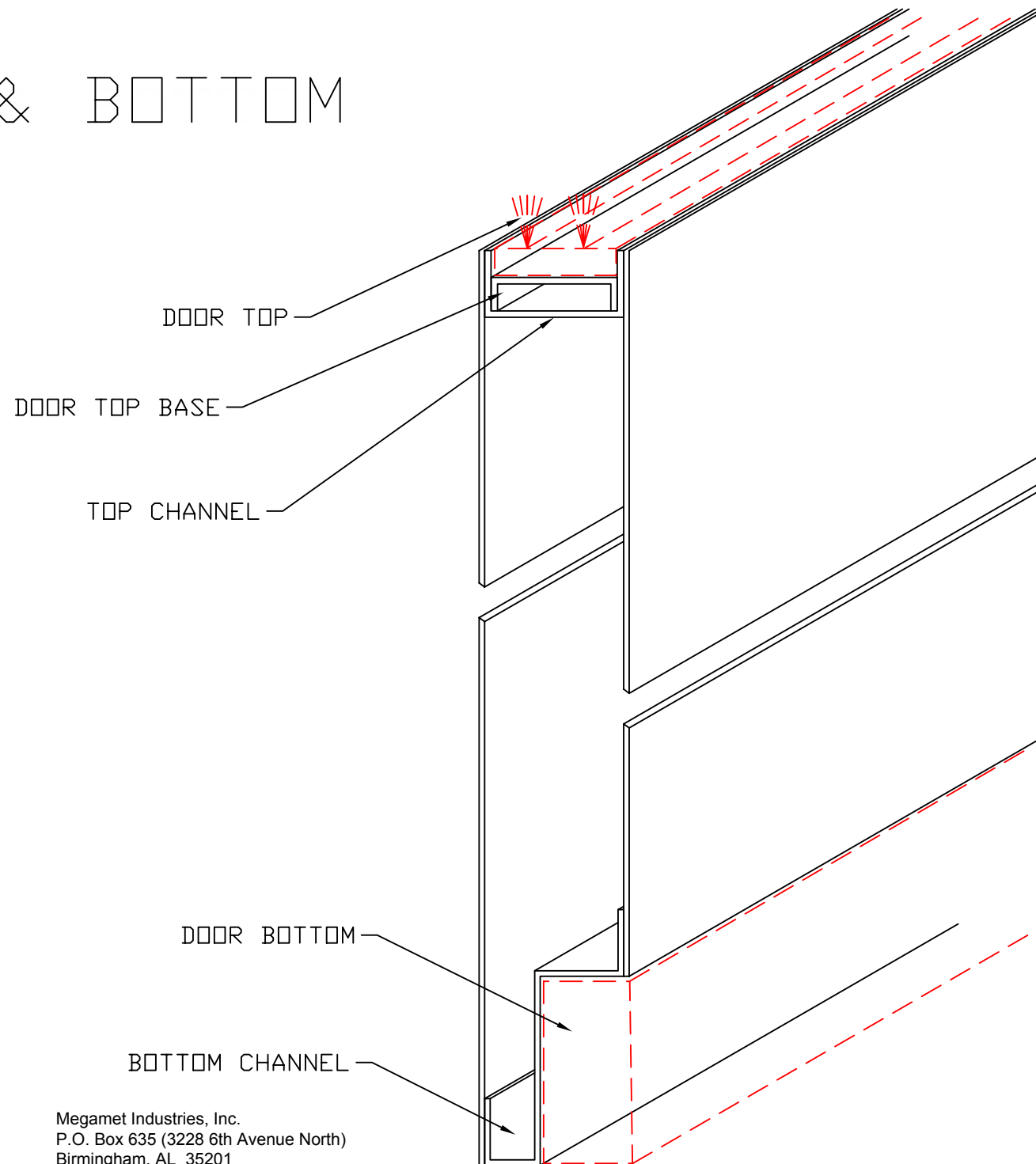
MEGAMET
INDUSTRIES

STC FRAME PROFILES



Megamet Industries, Inc.
P.O. Box 635 (3228 6th Avenue North)
Birmingham, AL 35201
WEBSITE: www.megametUSA.com
PHONE: (205) 322-7700; TOLL FREE: (888) 322-7750; FAX: (205) 322-4600

STC TOP & BOTTOM CHANNELS



MEGAMET
INDUSTRIES

Megamet Industries, Inc.
P.O. Box 635 (3228 6th Avenue North)
Birmingham, AL 35201
WEBSITE: www.megametUSA.com
PHONE: (205) 322-7700; TOLL FREE: (888) 322-7750; FAX: (205) 322-4600